

Product availability: Stock - Normally stocked in distribution facility

Price*: 12.69 USD



Main

| | |
|--|---|
| Range of product | Harmony Electromechanical Relays |
| Series name | Power |
| Product or component type | DIN rail/panel mount relay |
| Device short name | RPF |
| Contacts type and composition | 2 NO |
| [Uc] control circuit voltage | 120 V AC 50/60 Hz |
| Control type | Without lockable test button |
| Shape of pin | Flat |
| Contacts material | Silver tin oxide |
| [Ithe] conventional enclosed thermal current | 25 A -40...131 °F (-40...55 °C) relays side by side without a gap 30 A -40...131 °F (-40...55 °C) 13 mm gap between two relays |
| Load current | 25 A 28 V DC 30 A 250 V AC |
| Utilisation coefficient | 10 % |

Complementary

| | |
|--|--|
| Mounting support | DIN rail Panel |
| Control circuit voltage limits | 96...132 V |
| [Ie] rated operational current | 30 A 277 V AC) NO UL 20 A 28 V DC) NO UL 30 A 250 V AC) NO IEC 25 A 28 V DC) NO IEC |
| [Ui] rated insulation voltage | 250 V IEC 300 V UL |
| [Uimp] rated impulse withstand voltage | 4 KV 1.2/50 µs |
| Maximum switching voltage | 250 V IEC |
| Maximum switching capacity | 7500 VA/700 W |
| Minimum switching capacity | 6000 mW 500 mA / 12 V NO |
| Operating rate | <= 1200 cycles/hour under load <= 18000 cycles/hour no-load |

| | |
|----------------------------|------------------------------------|
| Mechanical durability | 5000000 Cycles |
| Electrical durability | 100000 Cycles resistive |
| Average consumption | 4 VA 60 Hz |
| Drop-out voltage threshold | >= 0.15 Uc |
| Operating time | 25 ms |
| Reset time | 25 Ms |
| Average resistance | 4250 Ohm at 68 °F (20 °C) +/- 15 % |
| Safety reliability data | B10d = 100000 |
| Protection category | RT II |
| Test levels | Level A |
| Operating position | Any position |
| CAD overall width | 1.33 In (33.7 mm) |
| CAD overall height | 2.70 In (68.5 mm) |
| CAD overall depth | 1.54 In (39.2 mm) |
| Net weight | 0.18 Lb(US) (0.082 kg) |
| Device presentation | Complete product |

Environment

| | |
|---------------------------------------|---|
| Dielectric strength | 2000 V AC between poles with basic 4000 V AC between coil and contact with reinforced 1500 V AC between contacts with micro disconnection |
| Standards | CSA C22.2 No 14 UL 508 EN/IEC 61810-1 |
| Product certifications | UL CSA GOST CE |
| Ambient air temperature for storage | -40...185 °F (-40...85 °C) |
| Ambient air temperature for operation | -40...131 °F (-40...55 °C) |
| Vibration resistance | 3 gn +/- 1 mm 10...150 Hz)5 cycles in operation 10 gn +/- 1 mm 10...150 Hz)5 cycles not operating |
| IP degree of protection | IP40 conforming to EN/IEC 60529 |
| Shock resistance | 10 gn in operation 30 gn not operating |
| Pollution degree | 3 |

Ordering and shipping details

| | |
|-----------------------|-------------------------------|
| Category | 21127 - ZELIO ICE CUBE RELAYS |
| Discount Schedule | CP2 |
| GTIN | 03389119401548 |
| Nbr. of units in pkg. | 1 |
| Package weight(Lbs) | 3.10 Oz (88 g) |
| Returnability | Yes |
| Country of origin | CN |

Packing Units

| | |
|------------------------|------------------|
| Unit Type of Package 1 | PCE |
| Package 1 Height | 1.38 In (3.5 cm) |
| Package 1 width | 1.65 In (4.2 cm) |
| Package 1 Length | 2.72 In (6.9 cm) |

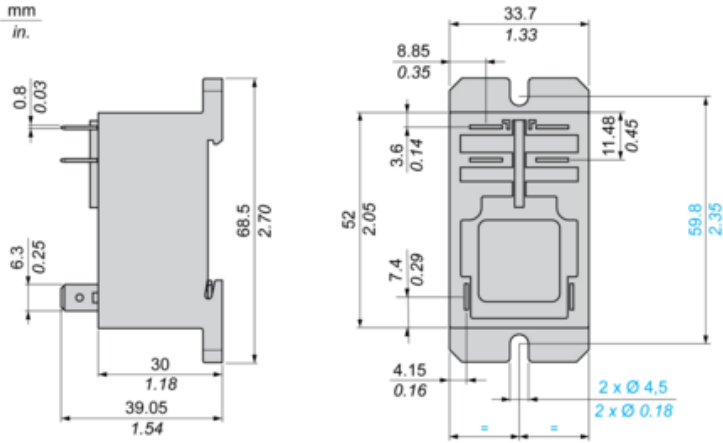
Offer Sustainability

| | |
|----------------------------|--|
| Sustainable offer status | Green Premium product |
| California proposition 65 | WARNING: This product can expose you to chemicals including: Nickel compounds, which is known to the State of California to cause cancer, and Di-isodecyl phthalate (DIDP), which is known to the State of California to cause birth defects or other reproductive harm. For more information go to www.P65Warnings.ca.gov |
| REACH Regulation | REACH Declaration |
| REACH free of SVHC | Yes |
| EU RoHS Directive | Pro-active compliance (Product out of EU RoHS legal scope) EU RoHS Declaration |
| Toxic heavy metal free | Yes |
| Mercury free | Yes |
| RoHS exemption information | Yes |
| China RoHS Regulation | China RoHS Declaration |
| Environmental Disclosure | Product Environmental Profile |
| WEEE | The product must be disposed on European Union markets following specific waste collection and never end up in rubbish bins. |

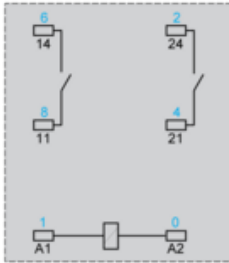
Contractual warranty

| | |
|----------|-----------|
| Warranty | 18 months |
|----------|-----------|

Dimensions



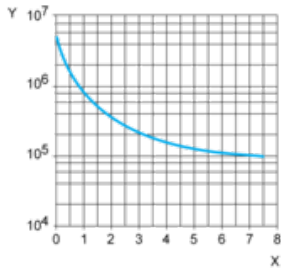
Wiring Diagram



Symbols shown in blue correspond to Nema marking.

Electrical Durability of Contacts

AC Resistive load

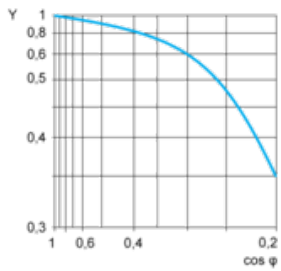


X Switching capacity (kVA)

Y Durability (number of operating cycles)

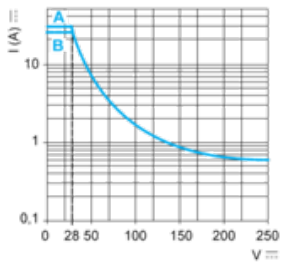
AC Reduction coefficient for inductive load (depending on power factor $\cos \phi$)

Durability (inductive load) = durability (resistive load) x reduction coefficient.



Y reduction coefficient

Maximum switching capacity on DC resistive load



A 30 A

B 25 A

Note : These are typical curves, actual durability depends on load, environment, duty cycle, etc.

Product Life Status : **Commercialised**